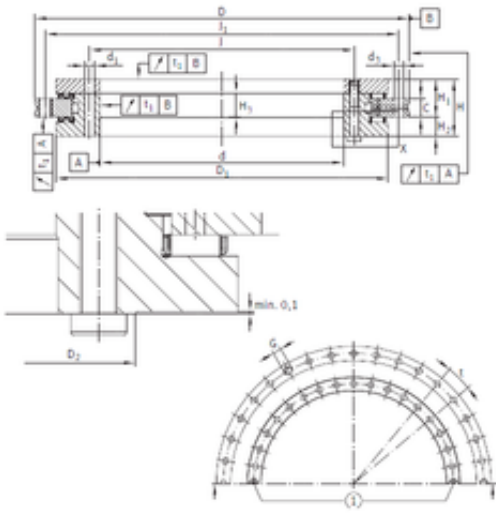




?????? ???? ????????



### INA YRTE325

Bearing No. YRTE325

Bore Diameter	325 mm
Outer Diameter	450 mm
d	325 mm
D	450 mm
D1	415 mm
D2	356 mm
C	20 mm
H	60 mm
H3	25 mm
d1	9,3 mm
d3	9,3 mm
H1	40 mm
H2	20 mm
J	342 mm
Thread (G)	M12
J1	430 mm

YRTE325 Bearing 2D drawings and 3D CAD models