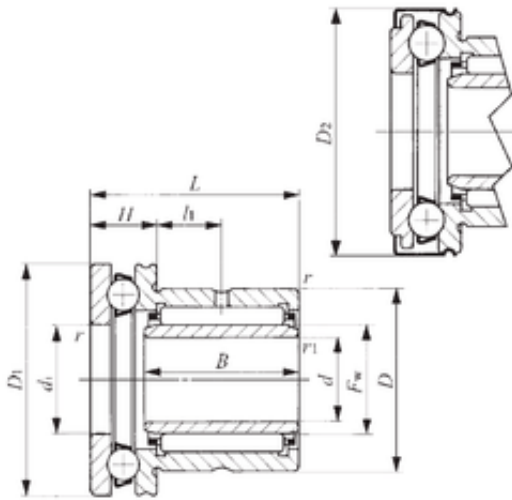




?????? ???? ????????



30 mm x 47 mm x 20 mm IKO NAXI 3030Z

Bearing No. NAXI 3030Z

Bore Diameter	30 mm
Outer Diameter	47 mm
d	30 mm
Fw	35 mm
D	47 mm
D1	52 mm
D2	53 mm
B	20 mm
d1	35 mm
r min.	0,6 mm
r1 min.	0,3 mm
H	12 mm
L	30 mm
L1	9 mm
da min.	45 mm
db	34 mm
Weight	0,215 Kg
Dynamic load rating radial (C)	26,9 kN
Dynamic load rating axial (C)	21,2 kN
Static load rating radial (C0)	46,2 kN
Static load rating axial (C0)	37,6 kN

NAXI 3030Z Bearing 2D drawings and 3D CAD models